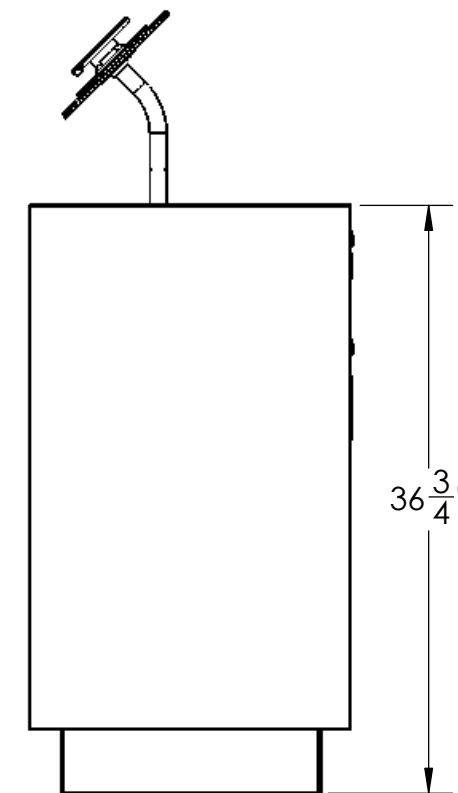
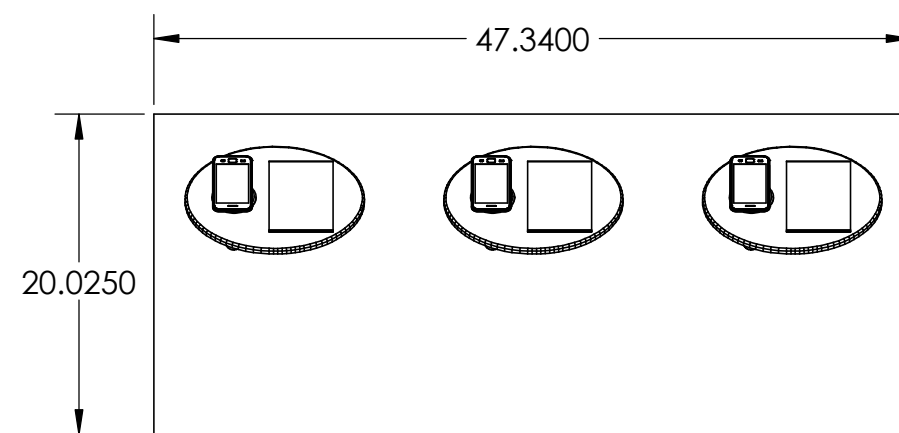
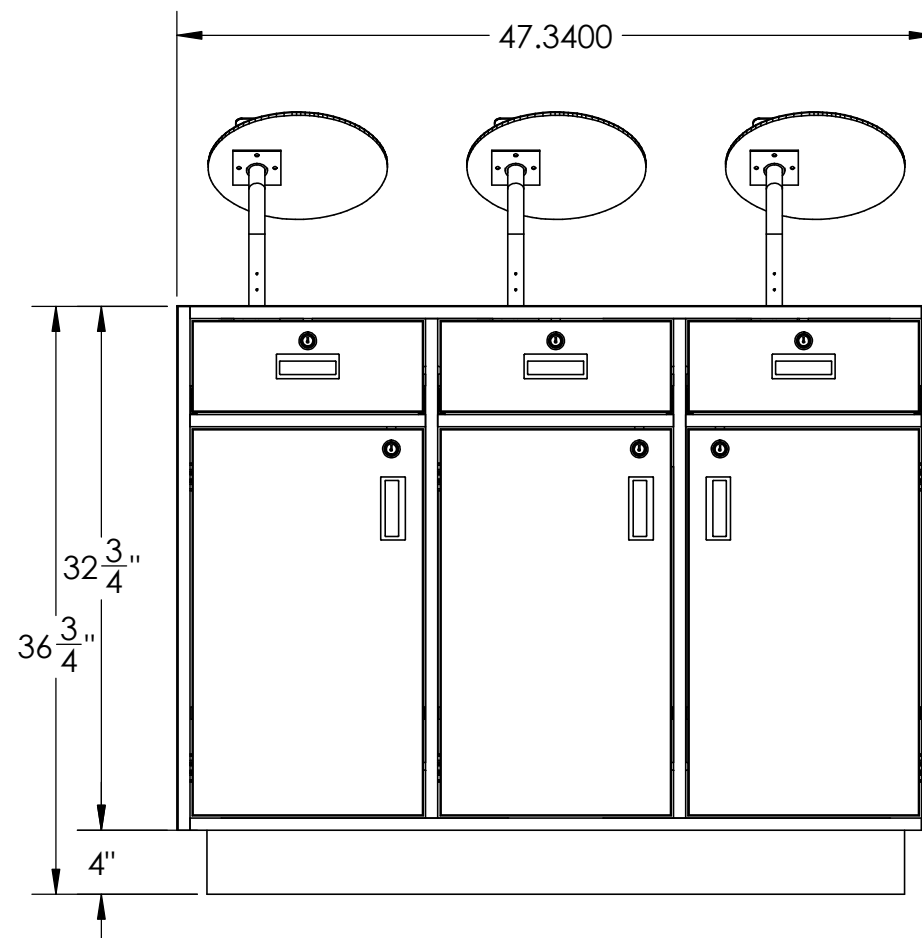


Painted Oval Display

acrylic tag display

Company logo may be placed here



409 Evergreen Drive
 North Bonneville, WA
 98639
 Phone: (509) 427 8800
 www.silverstarindustries.com

CONFIDENTIAL:
 This drawing and the information herein are the
 exclusive property of Silver Star Cabinets. Any
 reproduction or use without express written
 consent is strictly forbidden.

DIMENSIONS:
 All dimensions are in inches unless noted
 otherwise - views are not to scale unless noted.

CUSTOMER:

ENGINEER:
CSC
 DATE:
 2/12/2014

PROJECT/LOCATION:
 EDD-4 Freestanding
 Display Kiosk

REFERENCE #:

DESCRIPTION:
 EDD-4 Freestanding
 Display Kiosk

Assembly #: REV #:

SHEET SCALE: 1:12
 SHEET: