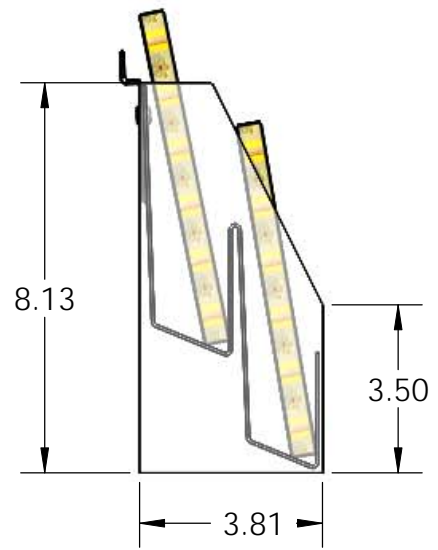


PTEG CONSTRUCTION



SS7 2-tier acrylic card holder			
			QTY:
DR.BY: <i>CSC</i>	SCALE: 1:4	8/5/2009	1